

# Operation Instruction

## M-238M Non-contact switch for special room

Make your choice.....



### 1 safety instruction

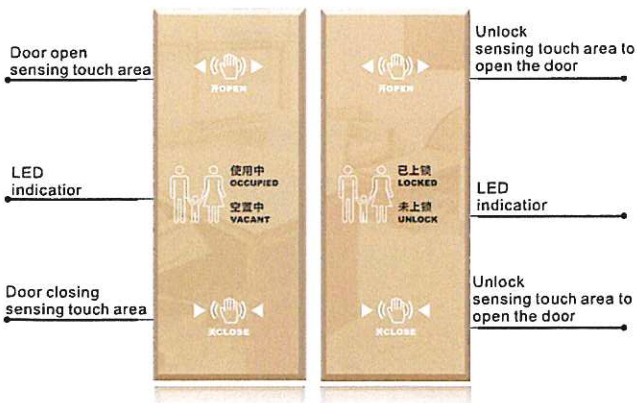
**!** This device must use a low voltage with protected safety insulation, all commissioning and repair work must be installed by a professional engineering installer

### 2 Reference occasions and overall product characteristics

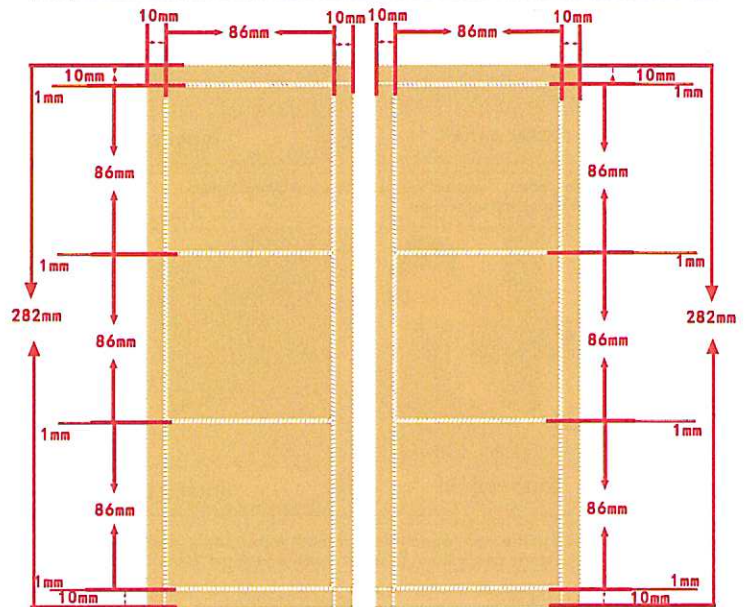
- This product is mainly used for limited personnel occasion.
- This special room switch use large panel setting, laser carving technology, exquisite and high-grade
- Equipped with HD voice system (Chinese, English, Cantonese optional and customized voice)
- Both the inner and outer panels have text light instructions and the panels clearly identify the use steps for easy operation.
- This product is equipped with service time remind function

Be used for airports, subway stations, stations, large shopping malls, etc.

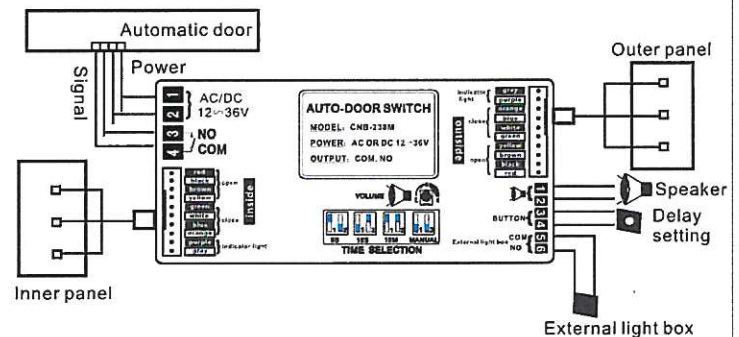
### 3 Product Overview



### 4 Mounting hole size chart



### 5 outer&inner panel wiring



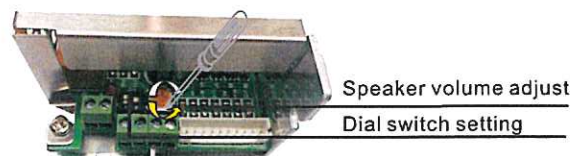
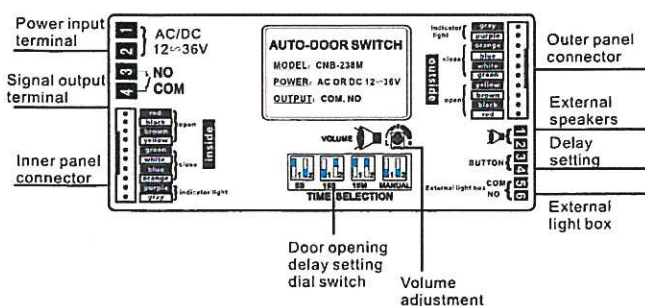
1. Take the 12-36V power from the automatic door to the controller and connect the signal output to the automatic door signal terminal
2. The inner and outer panel wiring are the same. Red, black, brown, yellow => Door opening sensing touch switch. Green, white, blue, orange => Door closing sensor touch switch. purple, grey => LED indicator
3. Delay setting: Delay switch: The system does not use the timeout reminder and timeout unlock function. When the system is in use state, the locked function will be automatically released after 5 minutes. If you want to use continuously, please press the "confirm button", to connect a switch to the toilet. Press the switch to extend the use time of 30 minutes, otherwise the lock state will be released after 5 minutes.
4. External speaker: 4-8Ω, 1-5W speaker
5. External light box: When the system is in use state, it outputs a relay short connection signal, which can be used as a signal light box to control external connection.

### 6 setting delayed time for door close back after door open

- [1] Adjust the position of the speaker volume, clockwise adjust for high volume, counterclockwise to adjust for low volume

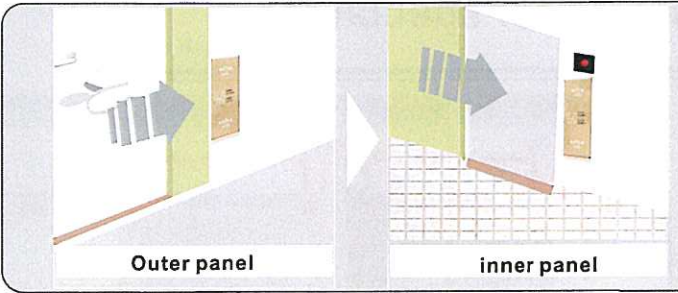
[2] Dial switch setting

ON	5S	15S	15mins	manually
TIME	5S	15S	15mins	manually

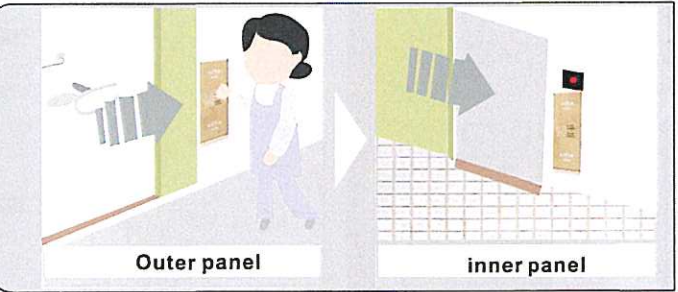




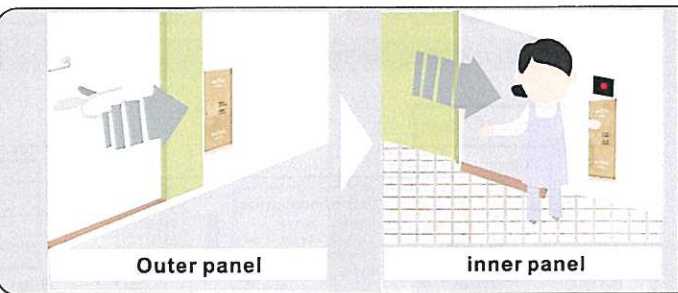
## 7 operation



**[1]** on standby mode, "vacant" indicator on outer panel lights, The inner panel indicator is on

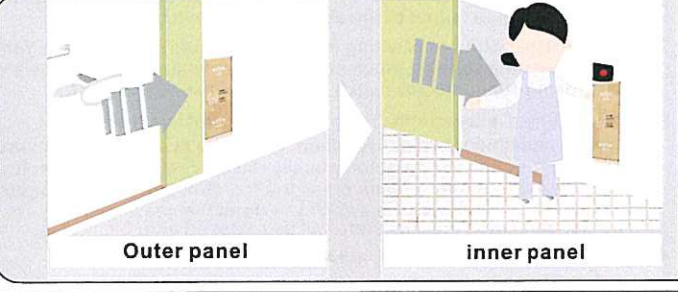


**[2]** wave hands to the door open button on the outer panel, and the automatic door open. At the same time, there is a voice prompt "door is opening".



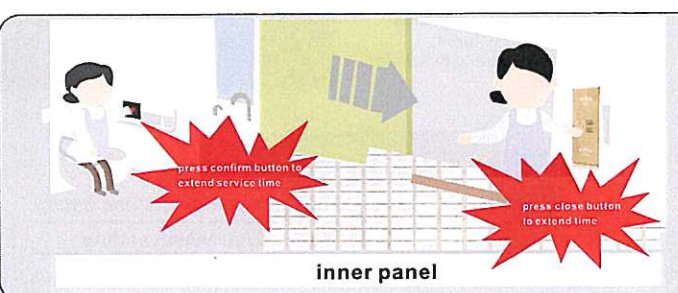
**[3]** After entering the room, wave hands to the door close button, the door automatically close and lock. At the same time, there will be a voice prompt "door is closing". If the door is not closed for more than five seconds, there will be a voice prompt "please lock the door"

**[4]** After door is locked, the "OCCUPIED" indicator light on the outer panel is on, and the indicator light on the inner panel is off. At this time, if someone wave hands to the door open or close button on the outer panel will issue a "occupied" voice prompt and the door will not be opened.



**[5]** When the people inside need go out, wave hands to door open button, the door will open and there will be a voice prompt "door is opening"

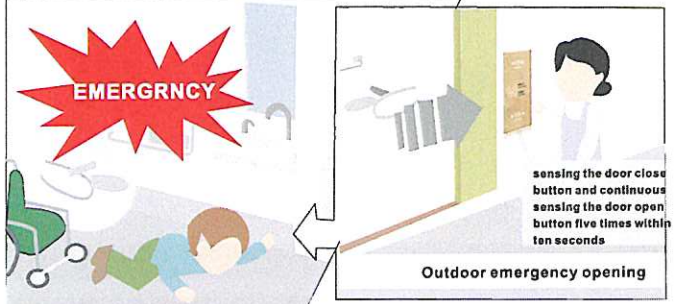
**[6]** When people come out, the automatic door will be closed automatically according to the setting time of the dial switch or wave hands to door close button. The automatic door will be closed immediately. At the same time, there will be a voice prompt "door is closing" and return to the standby mode.



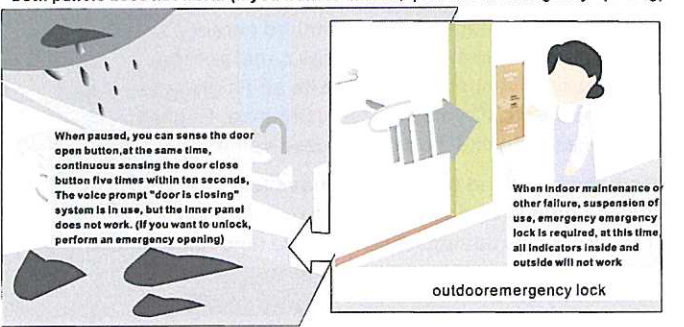
**[7]** The longest use time of this system is 30 minutes. When using it for 25 minutes, the system will voice prompt "This system will unlock the anti-lock function in five minutes. If you need to continue to use, please press the confirmation button, thank you" otherwise the system will be in five minutes Automatic unlocking

## 8 Special operation

**Emergency opening**  
When the controller is in use, if there is an accident or special circumstances need to open the door, you can sensing the outer panel "close" button for 7sec, when there has a continuous flashing light, continuous induction the outer panel "open" button five times, then the voice prompt "door is opening" door will open and then the system returns to standby mode.



**Emergency lock**  
When stop to use, you can sensing the outer panel "open" button for 7sec, when there has a continuous flashing light, continuous induction the outer panel "close" button, The voice prompt "door is closing" system is in use, but the inner and outer both panels does not work. (If you want to unlock, perform an emergency opening)



## 8 Sensitivity setting



## 9 parameter

working voltage	AC/DC 12~36V
standby current	110mA(12Vpower)
action current	135mA (12Vpower)
voice	English, Chinese, Cantonese (can be customized)
output	Relay dry contact
Closing delay	5S、15S、15m、Manually
Inner panel size	282mm (L) × 108mm (W) × 15mm (H)
Outer panel size	282mm (L) × 108mm (W) × 15mm (H)
Main controller size	145mm (L) × 57mm (W) × 38mm (H)