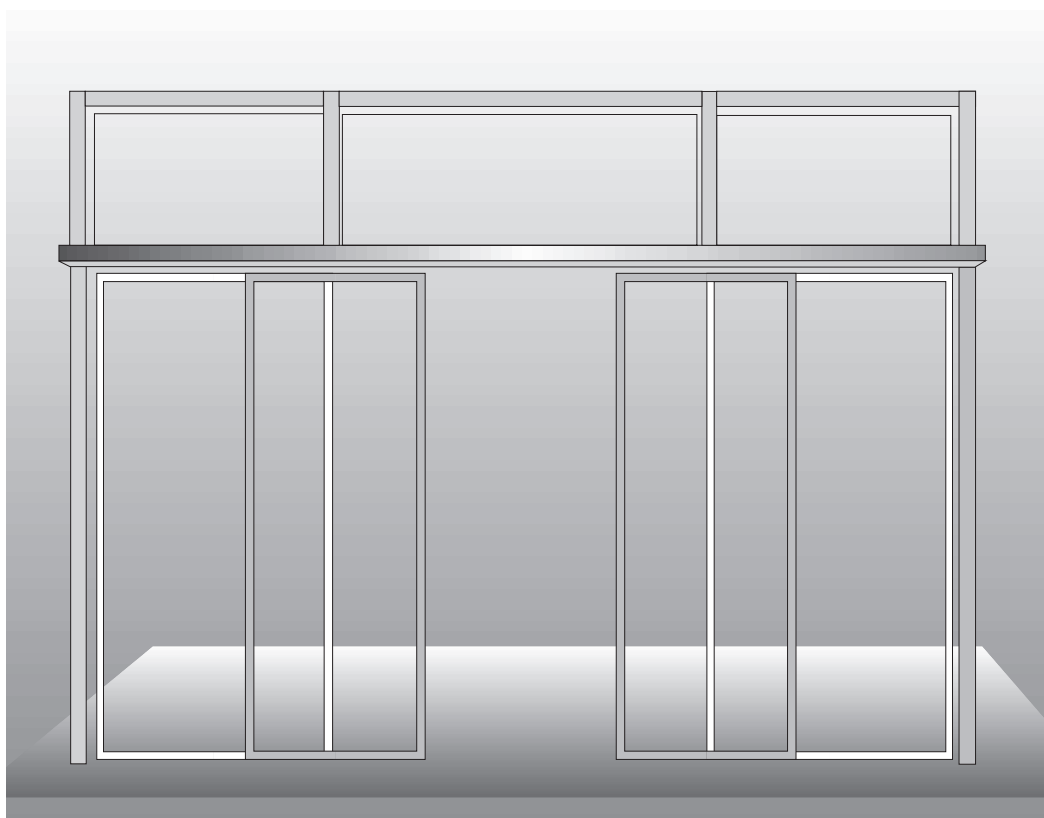


Cantilever beam

for automatic sliding doors

Slimdrive SL

Slimdrive SLT



Assembly instructions



Table of contents

1	Safety instructions	3
2	Overview	4
2.1	Diagrams	4
2.2	Tools	4
2.3	Installation	5
2.4	Assembly types	6
2.5	Side plates	6
3	Montage	7
3.1	Preparations to be made by the customer	7
3.2	Preparatory assembly work	7
3.3	Cantilever assembly	9
3.4	Wall mounting with support fields in front of wall	10
3.5	Wall mounting with support fields between walls	10
3.6	Mounting support fields	11
3.7	Dismantling	14
4	Index	15

Key to symbols

⇔ Means "operation to be carried out"



Means "important note"



Means "additional information"



Indicates text that must be read and complied with.
Non-compliance may result in injury and damage!

1 Safety instructions

Intended use The cantilever beam is intended exclusively for use with the Slimdrive SL and Slimdrive SLT automatic sliding doors.

Work safety-conscious Installation work may only be performed by properly trained personnel authorized by GEZE.

GEZE shall assume no liability for damage caused by unauthorized changes to the system.

Watch swinging area of long system parts.

Secure workplace against unauthorized entry.

Use only genuine GEZE parts for repair work.

Dangers Danger of personal injury caused by sharp edges in case of broken glass!

Danger of personal injury when handling heavy system parts!

Safety precautions Observe country-specific regulations, standards and guidelines. In addition, observe the latest versions of the following guidelines:

- EN 60335-1
- DIN VDE 0700-238
- VBG 1
- Ordinance on workplaces

2 Overview

2.1 Diagrams

Number	Type	Name
70717-EP01	Installation diagram	Cantilever beam with Slimdrive SL
70717-EP02	Installation diagram	Cantilever beam with Slimdrive SLT
70717-EP05	Installation diagram	Support field for Slimdrive, left-hand side
70717-EP06	Installation diagram	Support field for Slimdrive, right-hand side
70717-9-0964	Assembly drawing	Cantilever beam – Slimdrive SL
70717-9-0954	Assembly drawing	Cantilever beam – Slimdrive SLT
70717-9-0951	Assembly instructions	Support field, left-hand side
70717-9-0955	Assembly instructions	Support field, right-hand side



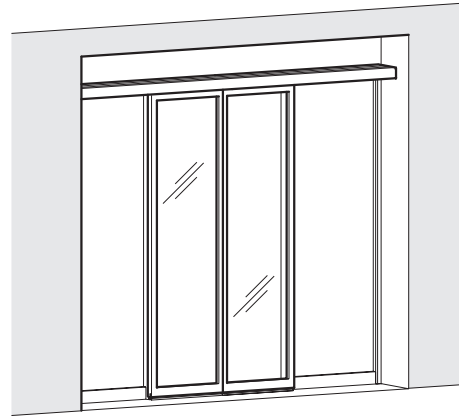
The diagrams are subject to change. Use only the most recent versions.

2.2 Tools

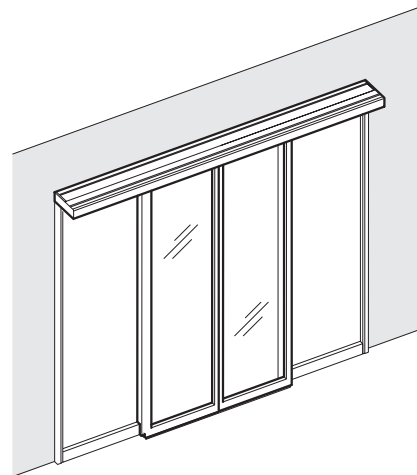
Tool	Size
Torque wrench	3–15 Nm
Allen key	2 mm, 2.5 mm, 3 mm, 5 mm, 6 mm
Open-ended wrench	8 mm, 10 mm, 13 mm, 17 mm
Screwdriver set	up to 6 mm
Electric drill	–
Drill bits for stone	–
Drill bits for metal	–

2.3 Installation

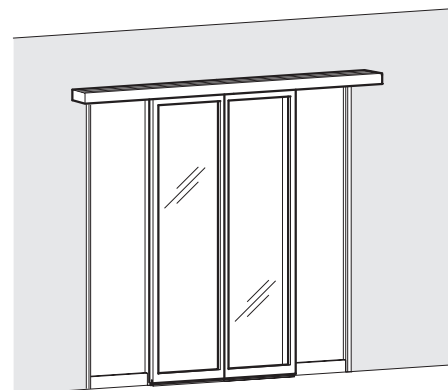
Cantilever assembly



Wall mounting with support fields in front of wall



Wall mounting with support fields between walls



2.4 Assembly types

Various assembly types are provided for cantilever beams.

Assembly type	Door type	Door leaf	Beam type	Mounting
Cantilever	SL	1-leaf or 2-leaf	single	Side plate A
		1-leaf or 2-leaf	double	Side plate B
	SLT	2-leaf or 4-leaf	single	Side plate C
		2-leaf or 4-leaf	double	Side plate D
Wall mounting (support fields in front of wall)	SL	1-leaf or 2-leaf	single	Directly on lintel
	SLT	2-leaf or 4-leaf	single	Directly on lintel
Wall mounting (support fields between walls)	SL	1-leaf or 2-leaf	single	Side plate E or directly on lintel
	SLT	2-leaf or 4-leaf	single	Side plate E or directly on lintel



Only the components of the described assembly types will be supplied.

2.5 Side plates

Side plate	Door type	Beam type	Drawing
A	SL	single	
B	SL	double	
C	SLT	single	
D	SLT	double	
E	SL/SLT	single	



When the drive is located at the bottom, the side plates must be mounted turned by 180°.

3 Installation

3.1 Preparations to be made by the customer

Check the preparations made by the customer to ensure proper installation:

- Load-bearing capacity of wall and ceiling
- Type and loading capacity of the facade construction or sub-construction
- Levelness of the installation surface
- Compare the specified dimensions and ordered components to the actual dimensions and local conditions

3.2 Preparatory assembly work

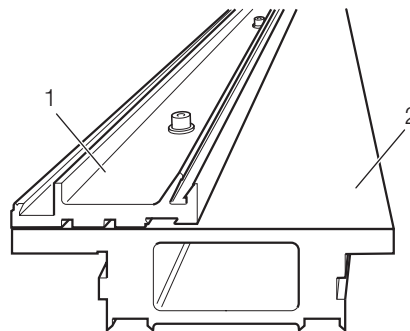


- Secure workplace against unauthorized entry
- With 1-leaf doors at least two persons should always work together
- With 2-leaf doors at least three persons should always work together
- Use at least two step ladders or step stools



The following chapter describes the assembly of the cantilever beam (double beam type) for the Slimdrive SLT (drive at bottom).

Prepare cantilever beam ⇨ Screw mounting profile (1) to cantilever beam (2).



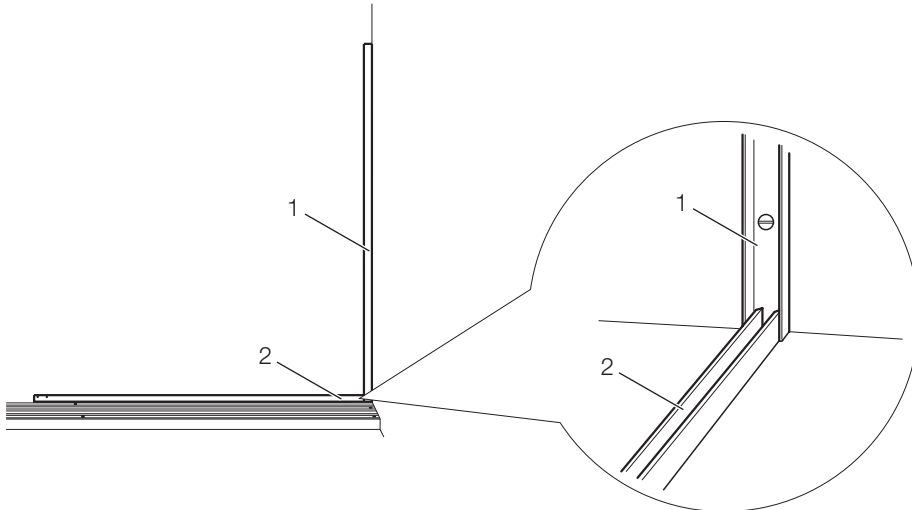
Mount wall and floor strips

1. Distribute 3 countersink holes at an equal distance along each wall strip (1).
2. Distribute 2-3 countersink holes at an equal distance along each floor strip (2).
3. Place wall strips (1) on wall and floor.
4. Align wall strips (1) vertically with a level.
5. Screw wall strips (1) onto wall with countersunk screws.



The floor strips (2) must reach into the wall strips (1) and make contact there.

6. Align floor strips (2) and screw to floor.



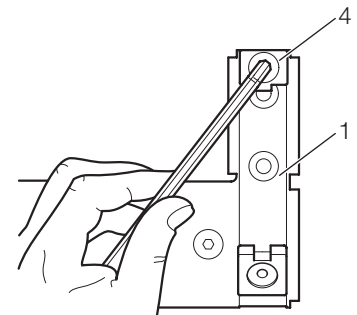
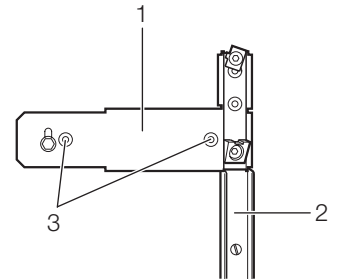
3.3 Cantilever assembly



The type of side plates use is dependent on the assembly type (see Chapter 2.4).

Mount left and right side plate

1. Hold side plates (1) on wall flush above wall strips (2) and align horizontally.
2. Mark drill holes (3) through side plates.
3. Mount side plates with counter-sunk screws (M8).
4. Remove upper fixing blocks (4) from side plates.



Mount cantilever beam

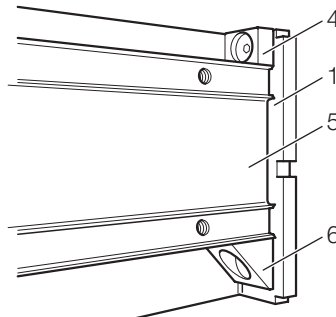


Danger of injury!

The cantilever beam is very heavy and can fall.

⇨ Secure the cantilever beam against falling during assembly with at least two to three persons.

1. Lay cantilever beam (5) on lower fixing blocks (6) of side plate.
2. Screw upper fixing blocks (4) onto side plate (1) to fix the cantilever beam in place.



3.4 Wall mounting with support fields in front of wall

- Mount cantilever beam**
1. Drill holes spaced approx. 500 mm apart on lintel in accordance with installation plan 70717-EP01/02.



Danger of injury!

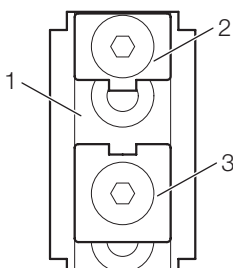
The cantilever beam is very heavy and can fall.

- ⇒ Secure the cantilever beam against falling during assembly with at least two to three persons.

2. Mount cantilever beam on lintel with countersunk screws (M8).

3.5 Wall mounting with support fields between walls

- Mount left and right side plate**
1. Align side plates (1) flush with wall and lintel.
 2. Mark drill holes through side plates.
 3. Mount side plates with countersunk screws (M8).
 4. Remove upper fixing blocks (2) from side plates.



Mount cantilever beam



Danger of injury!

The cantilever beam is very heavy and can fall.

- ⇒ Secure the cantilever beam against falling during assembly with at least two to three persons.

1. Lay cantilever beam on lower fixing blocks (3) of side plates (1).
2. Screw upper fixing blocks (2) onto side plates (1) to fix the cantilever beam in place.

3.6 Mounting support field



Danger of injury!

The supports fields are very heavy and can tip.

⇨ Secure the support fields against tipping over during assembly.



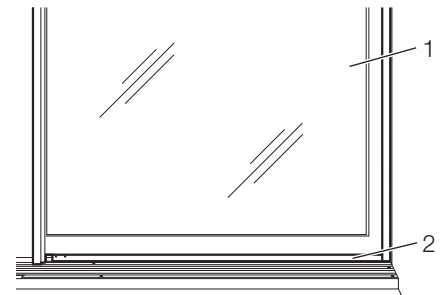
Danger of injury!

The glass of the support fields can splinter.

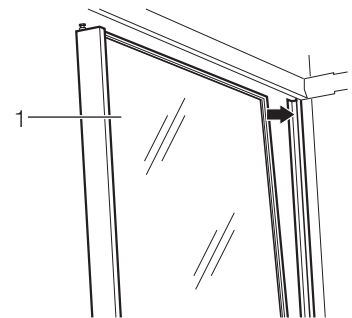
⇨ Handle the support fields carefully and with caution.

Mount support field

1. Place premounted support field (1) on floor strip (2) from outside.

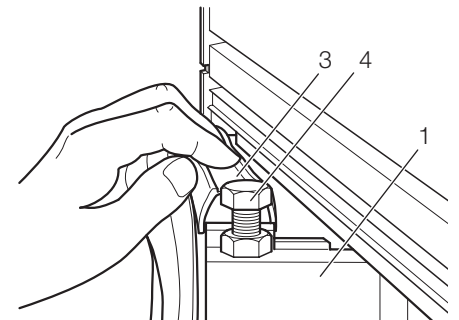


2. Upright/fold in support field (1) until it strikes cantilever beam at top.



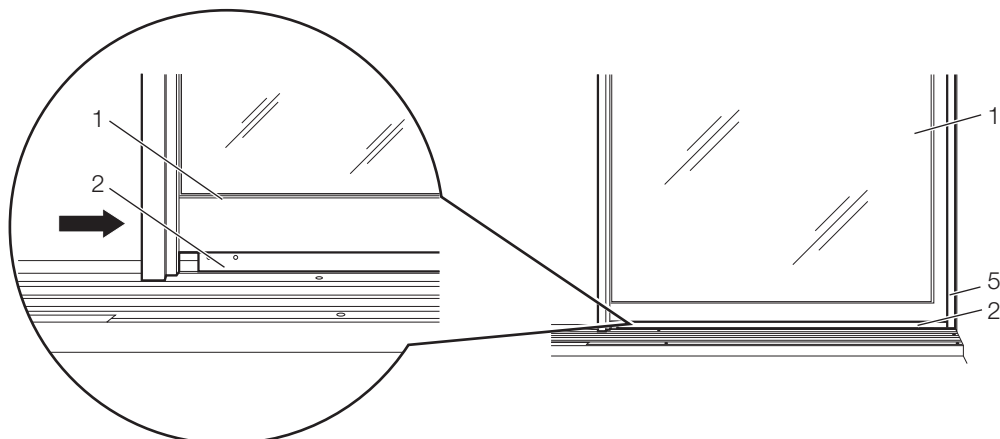
Mount glazing rubber

1. Cut glazing rubber (3) to length of glass pane.
2. Clamp glazing rubber (3) onto upper edge of glass pane.
3. Mount adjustment screw (4).

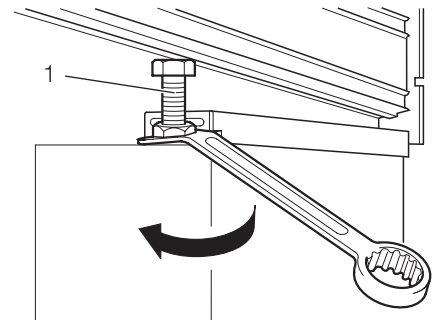


Secure support field

1. Fold in support field (1) completely and push into wall strip (5).



2. Unscrew adjustment screw (1) at top on support field until it contacts cantilever beam.



Mount runner



Danger of injury!

Unsecured components may fall down when under load.

⇨ Brace the entire runner.



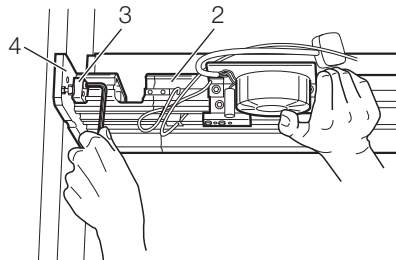
See the assembly and service manual of this sliding door for instructions on assembling the runner with preassembled assemblies.

Mount support blocks (Slimdrive SLT only)



For cantilever mounting of the Slimdrive SLT, the runner must be secured on the side plates with one support block each.

1. Slightly lift runner (2) until no sag is visible on runner.
2. Mount support blocks (3) on side plates (4).



3. Hook in door leaves and move into closing position.

Support cantilever beam

1. Turn adjustment screw (1) further to counteract sagging caused by leaf weight in closing position.
2. Adjust floor clearance and shadow joint of door leaves.

Adjust floor clearance and shadow joint

1. Adjust settings of adjustment screw (1) and hanging screws on door leaves to each other.
(see assembly manuals of door leaves.)

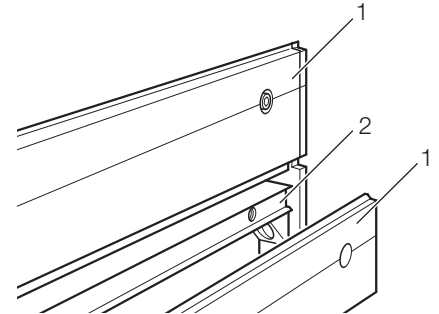
Mount transoms



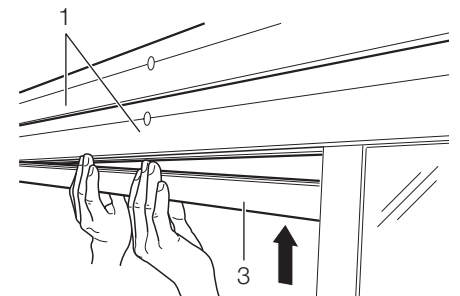
Follow the manufacturer's assembly instructions when mounting the transoms.

Mount covers

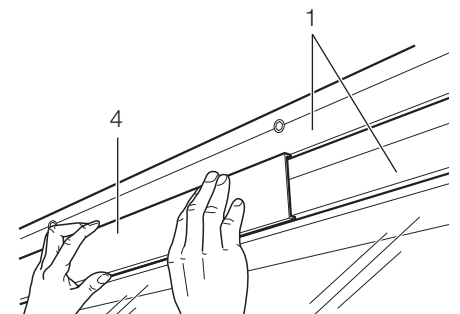
1. Screw cover (1) onto cantilever beam (2).



2. Insert cover (3) in opening area of door into cantilever beam from below.

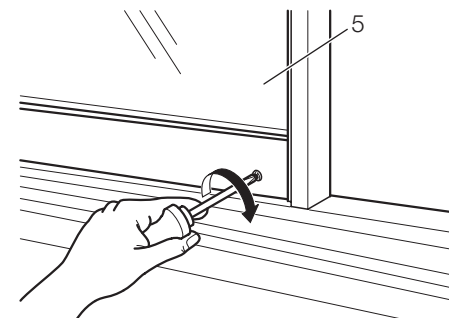


3. Mount cover (4) on cantilever beam.



Lock support field

1. Insert pan-head tapping screw BZ 4.8 x 16 at bottom on support field (5) and tighten.
The support field is locked against moving with this screw.



3.7 Dismantling



Danger of injury!

Hood is held in place with an engaging mechanism.

⇒ The hood should always be removed by two people and carefully lowered with the stay cable.

Proceed in reverse order of assembly to dismantle the system.



Danger of injury!

The glass of the support fields can splinter.

⇒ Handle the support fields carefully and with caution.



Danger of injury!

The support fields are very heavy and can tip.

⇒ Secure the support fields against tipping over during dismantling.



Danger of injury!

The cantilever beam is very heavy and can fall.

⇒ Secure the cantilever beam against falling during dismantling with at least two to three persons.

4 Index

A

Assembly types	
cantilever assembly.....	7
wall mounting.....	10

C

Cantilever beam	
differences	6
mount	9/10
support.....	12
Covers	13

D

Diagrams	4
----------------	---

F

Fixing blocks	
mount	9/10
Floor strip	
mount	8

G

Glazing rubber	11
----------------------	----

I

Installation	5
--------------------	---

R

Runner	
mount	12

S

Side plate	
differences	6
mount	9/10
Support fields	
mount	11
lock	13
secure	11

T

Tools	4
Transoms	13

GEZE GmbH
P.O. Box 1363
71226 Leonberg
Germany

GEZE GmbH
Reinhold-Vöster-Str. 21-29
71229 Leonberg
Germany
Tel. +49 (0) 71 52-2 03-0
Fax +49 (0) 71 52-2 03-310

GEZE Online:
www.geze.com

GEZE Branches

Germany

GEZE GmbH
Niederlassung Nord/Ost
Bühningstr. 8
13086 Berlin (Weissensee)
Tel. +49 (0) 30 47 89 90-0
Fax +49 (0) 30 47 89 90-17
E-Mail: berlin.de@geze.com

GEZE GmbH
Niederlassung West
Nordsternstraße 65
45329 Essen
Tel. +49 (0) 2 01-8 30 82-0
Fax +49 (0) 2 01-8 30 82-20
E-Mail: essen.de@geze.com

GEZE GmbH
Niederlassung Mitte
Adenauerallee 2
61440 Oberursel (b. Frankfurt)
Tel. +49 (0) 61 71-6 36 10-0
Fax +49 (0) 61 71-6 36 10-1
E-Mail: frankfurt.de@geze.com

GEZE GmbH
Niederlassung Süd
Reinhold-Vöster-Straße 21-29
71229 Leonberg
Tel. +49 (0) 71 52-2 03-5 94
Fax +49 (0) 71 52-2 03-4 38
E-Mail: leonberg.de@geze.com

Subsidiaries

Germany

GEZE Sonderkonstruktionen GmbH
Planken 1
97944 Boxberg-Schweigern
Tel. +49 (0) 79 30-9 2 94-0
Fax +49 (0) 79 30-9 2 94-10
E-Mail: sk.de@geze.com

GEZE GLAS DESIGN GmbH
Reinhold-Vöster-Str. 21-29
71229 Leonberg
Tel. +49 (0) 71 52-2 03-4 10
Fax +49 (0) 71 52-2 03-5 57
E-Mail: glas.design.de@geze.com

GEZE SERVICE GmbH
Mollenbachstr. 33-35
71229 Leonberg
Tel. +49 (0) 71 52-92 33-0
Fax +49 (0) 71 52-92 33-60
E-Mail: service.de@geze.com

GEZE SERVICE GmbH
Niederlassung Berlin
Bühningstr. 8
13086 Berlin (Weissensee)
Tel. +49 (0) 30-47 02 17 30
Fax +49 (0) 30-47 02 17 33

Asia

GEZE Asia Pacific Ltd.
Unit 2614, 26/F., Miramar Tower
1 Kimberley Road
Tsimshatsui, Kowloon
Hong Kong
Tel. +852 - 23 75 73 82
Fax +852 - 23 75 79 36
E-mail: geze@netvigator.com

GEZE Industries (Tianjin) Co., Ltd.
Shuangchenzhong Road
Beichen Economic Development Area (BEDA)
Tianjin 300400, P. R. China
Tel. +86 22 26 97 39 95-0
Fax +86 22 26 97 27 02
E-Mail: geze@public1.tpt.tj.cn

GEZE Industries (Tianjin) Co., Ltd.
Branch Office Shanghai
Room No. 2303,
Nan Zheng Building
580 Nanjing Road West
200041 Shanghai
P. R. China
Tel. +86 21 52 34 09-60
Tel. +86 21 52 34 09-61
Tel. +86 21 52 34 09-62
Fax +86 21 52 34 09-63
E-Mail: geze@public2.sta.net.cn

GEZE Industries (Tianjin) Co., Ltd.
Branch Office Guangzhou
Room 1213 Jie Tai Plaza
218-222 Zhong Shan Liu Road
510180 Guangzhou
P. R. China
Tel. +86 20 81 32 07 02
Tel. +86 20 81 32 07 03
Fax +86 20 81 32 07 05
E-Mail: geze-gz@163.net

GEZE Industries (Tianjin) Co., Ltd.
Branch Office Beijing
Room 606 Beijing East Ocean Centre
No. 24A Jian Guo Men Wai Street
Chao Yang District
100022 Beijing
P. R. China
Tel. +86 10 65 15 58 29
Tel. +86 10 65 15 58 30
Fax +86 10 65 15 58 31
E-Mail: leigeze@dhms.ocean.cn.net

Middle East

Jordan
GEZE Middle East
P.O. Box 941 771
Shmeisani 11194
Wadi Saqra Street
Al Wifaq Center
Amman-Jordan
Tel. +962 65 53 89 97
Fax +962 65 53 89 30
E-Mail: geze@go.com.jo

Europe

France
GEZE France S.A.R.L.
ZAC de l'Orme Rond
RN 19
77170 Servon
Tel. +33 1 60 62 60 70
Fax +33 1 60 62 60 71
E-Mail: france.fr@geze.com

Great Britain
GEZE UK Ltd.
Chelmsford Business Park
Colchester Road
Chelmsford, Essex CM2 5LA
Tel. +44 12 45 45 10 93
Fax +44 12 45 45 11 08
E-Mail: geze.uk@geze.com

GEZE Automatic Division
Claymore, Tame Valley Industrial Estate,
Tamworth, Staffordshire B77 5DQ
United Kingdom
Tel. +44 (0) 18 27 28 62 22
Fax +44 (0) 18 27 28 64 44
E-Mail: automatics.uk@geze.com

Italy
GEZE Italia Srl
Via Caduti di Sabbiuno, 2
40011 Anzola Emilia (BO)
Tel. +39 051 65 01 81 1
Fax +39 051 65 01 83 3
E-Mail: italia.it@geze.com

GEZE Engineering Srl
Via Borromeo, 4
20017 Rho (Milano)
Tel. +39 02 93 90 95 59
Fax +39 02 93 90 93 32

Netherlands
GEZE Benelux B.V.
Industrieterrein, Kapelbeemd,
Leemkuil 1,
NL-5626 EA Eindhoven
Tel. +31 40 26 29 08 0
Fax +31 40 26 29 08 5
E-Mail: benelux.nl@geze.com

Austria
GEZE Austria GmbH
Mayrwiesstraße 12
5300 Hallwang b. Salzburg
Tel. +43 662 66 31 42
Fax +43 662 66 31 42-15
E-Mail: austria.at@geze.com

Poland
GEZE Polska Sp. z o.o.
ul. 3-go Maja 101/103
05-080 Mościska gm. Izabelin
Tel. +48 (0) 22 7 52 29 00
Fax +48 (0) 22 7 52 29 01
E-Mail: geze@geze.pl

Switzerland
GEZE Schweiz AG
Bodenackerstr. 79
4657 Dulliken
Tel. +41 (0) 62-285 54 00
Fax +41 (0) 62-285 54 01
E-Mail: schweiz.ch@geze.com

Spain
GEZE Iberia S.R.L.
C/ Diputación 188, D.128
08011 Barcelona
España
Tel. +34 9 02 19 40 36
Fax +34 9 34 51 59 60
E-Mail: iberia.es@geze.com

Scandinavia

Sweden
GEZE Scandinavia AB
Mallsingan 10
Box 7060
18711 Täby
Tel. +46 (0) 8-732 34-00
Fax +46 (0) 8-732 34-99
E-Mail: sverige.se@geze.com

Norway
GEZE Scandinavia AB avd. Norge
Postboks 63
2081 Eidsvoll
Tel. +47 (0) 639 571 70
Fax +47 (0) 639 571 73
E-Mail: norge.se@geze.com

Finland
GEZE Finland
branch office of GEZE Scandinavia AB
Postbox 20
15871 Hollola
Tel. +358 (0) 10-400 5100
Fax +358 (0) 10-400 5120
E-Mail: finland.se@geze.com

Your attention is drawn to the „product liability law“ defined liability to the manufacturer for this products which are contained in the main catalogue (product information, usage, misuses, product activity, product maintenance, the duty to inform and the duty to instruct). Non compliance with these conditions relieves the manufacturer from any liability.

GEZE Representative:

